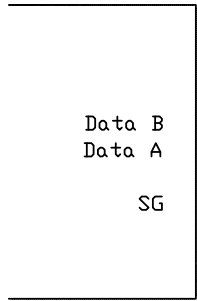


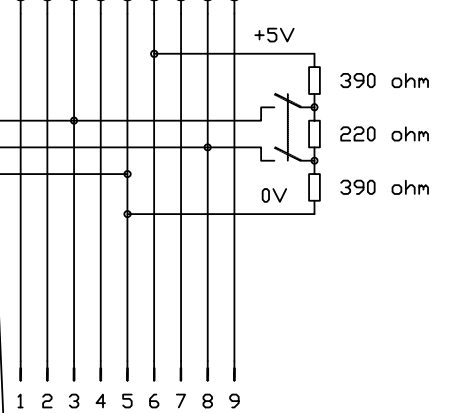
D-SUB 9P MALE



Shield connected to D-SUB cover

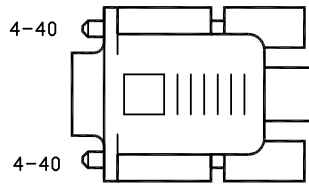
9-pos D-sub Female

1 2 3 4 5 6 7 8 9



9-pos D-sub Male

D-SUB 9P MALE



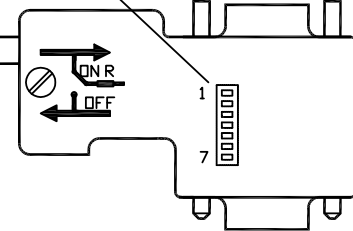
CAB102/3m

Label

Length: 3 m
 Cable: LIYCY-Pair 2x2x0,14 or equivalent
 All resistors: Min 1/4W

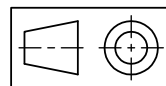
OEM MPI connector

9-pos D-sub Female



9-pos D-sub Male

Note: Cable must follow the Beijer standard document I-4795 Connection of the cable shield to the D-sub



Beijer
 ELECTRONICS

Designation		CAB 102 external cable, length 3m	
all views			
Drawing number		CAB-Z7100-007C	
Subst. for:		Subst. of:	
		Page 1 of 1 Pg	